

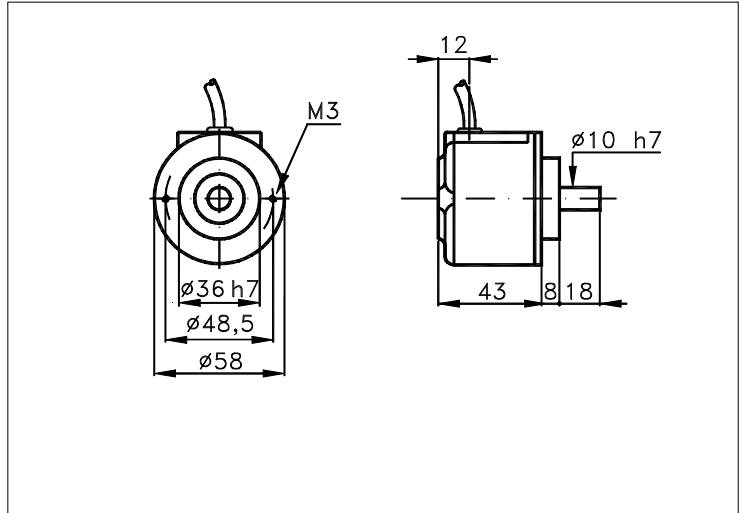
INCREMENTAL ENCODER

58HJ

'HEAVY-DUTY' PATENTED ENCODER WITH EXTREMELY LOW COST WITHOUT GIVING UP THE QUALITY OF THE PRODUCT. FITTED FOR APPLICATIONS WHERE THE PRICE PLAYS AN INSTRUMENTAL ROLE.

Incremental
 page: 09. 58HJ 1/2
 data sheet . II 120 E00

Sized draw standard version: CV R Measures without tolerance according to UNI ISO 2768-mk



TECHNICAL FEATURES AND POSSIBLE CONFIGURATIONS

- | | |
|---|--|
| - Base.....: COMPOSITE MATERIAL (*) | - Ball bearings life...: 1,5 x 10 ⁹ revolutions |
| - Cover.....: VALOX 420 (*) | - Impact resistance....: 50 G x 11ms |
| - Weight.....: 145 g | - Vibration resistance..: 12 G (10 ÷ 2000 Hz) |
| - Shaft.....: ACCIAIO INOX Ø 10 (*) | - Power supply.....: 5÷30V (see page 2) |
| - Max.rad/axial load.: 3 kg | - Operating temperature: 0 ÷ 60 °C (*) |
| - IP output side.(°): see 'CONNECTION' of page 2 | - Storage temperature...: -30 ÷ 85 °C |
| - IP shaft side..(°)> std. 54 sealed 65 low torq. - | - N° of pulses/rev.....: 1 ÷ 1024 |
| opt. type (page 2)> standard Z | - Max frequency.....: 60 kHz |
| - Contin. max RPM(**)> 6000 3000 - | - Max consumptions mA...: std 120 line driver 180 (*) |
| - Starting torque gcm> 18 30 - | - Light source.....: LED with >= 100000 h life |
- (°) IP according to CEI EN 60529, EN 60529, IEC 529
 (*) custom options
 (**) intermittent max RPM + 30% of continuous max RPM

ELECTRONICS

CODE	DESCRIPTION	mA	CODE	DESCRIPTION	mA	CODE	DESCRIPTION	mA	CODE	DESCRIPTION	mA
K	STANDARD NPN	10	N	DRIVER 26LS31	30						
	NPN OPEN COLL	10	C	DRIVER 88C30	20						
R	NPN OPEN COLL	70									
B	PUSH-PULL PRO	70									
H	PUSH-PULL	70									

(§)


(§)

(§)

(§)

Tolerance between phases ± 35° , symmetry ± 15°

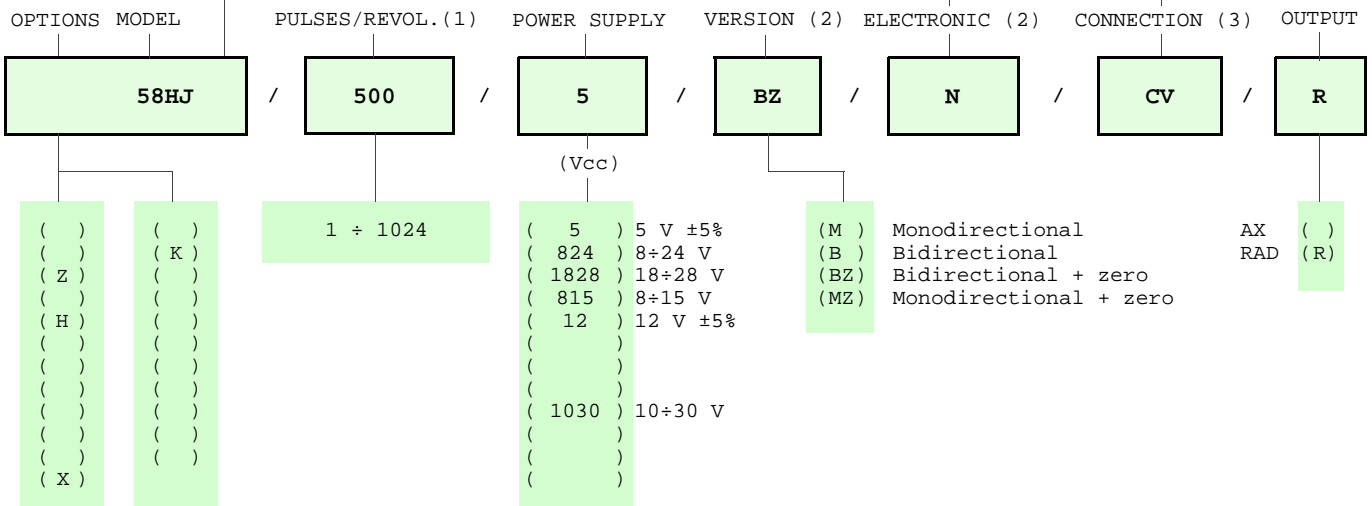
(§) Clock-wise output rotation (see shaft).

	ELCIS s.r.l. Via Rosa Luxembourg 12/14 10093 COLLEGNO (TO) ITALY	* http://www.elcis.com
	Phone: +39 011 715577/78 a.r.	* e-mail: info@elcis.com
	MAIL: ELCIS s.r.l. P.O.Box 90 10093 COLLEGNO (TO) ITALY	* Fax: +39 011 712613

POSSIBLE OPTIONS				POSSIBLE CONNECTIONS			
CODE	DESCRIPTION	CODE	DESCRIPTION				OUTPUT:
Z	Sealed ball bearing	K	Invert. phase A,B,Zero.	CABLE			AX RAD
H	Different shaft Ø			CONNECTOR			OUTPUT:
				CM CE	CL CD CH		AX RAD
				CABLE END CONNECTOR			OUTPUT:
				VM VE VD5	TM VK VN	VL TK VH VM5 VM9 VS	AX RAD
X	Custom options			TERMINAL BOX			OUTPUT:

ORDERING INFORMATION


POSSIBLE SHAFT Ø	STANDARD NPN	CABLE	CONNECTOR	CABLE END CONNECTOR
()	(K) NPN OPEN COLL	IP65		IP65 encoder output
()	(R) NPN OPEN COLL	(CV) 1 m long	(CM) 7c norm. IP65	(VM) 7c normal
()	()	()	()	(TM) 7c sealed
()	()	()	(CL) 10c norm. IP65	(VL) 10c normal
(n) Ø n upon requ.	(B) PUSH-PULL PRO		()	(TL) 10c sealed
()	(H) PUSH-PULL		(CD) 9c sub D IP63	(VD) 9c
()	(N) DRIVER 26LS31	TERMINAL BOX	(CH) 12c CCW IP67	(VH) 12c anticlock.
()	()		()	(VH5) 12c clock-wise
()	(C) DRIVER 88C30	()	()	(VI) 12c crimped
()	()		(CE) 5c miniat IP64	(VE) 5c
()	()		()	(VK) 17c normal
()	()		()	(TK) 17c sealed
()	()		()	(VN) 12c
()	(X) CUSTOM OPTION		()	(VH6) 12c clock-wise
()	()		()	(VM5) 26c
()	()		()	(VM9) 16c
()	()		()	(VS) 12c
()	()		()	(VD5) 9c screened



NOTE: FOR 88C30 MAX 15 Vdc

Product manufactured according to UNI EN ISO 9001:2000 supplied with CHECKING and CONFORMITY declaration with CE mark and with TWO (2) YEARS WARRANTY starting from delivery date.

- (1) For further information see PULSES/REVOL. data sheet
- (2) For further information see ELECTRONIC data sheet
- (3) For further information see CONNECTION data sheet

	ELCIS s.r.l. Via Rosa Luxembourg 12/14 10093 COLLEGNO (TO) ITALY Phone: +39 011 715577/78 a.r. MAIL: ELCIS s.r.l. P.O.Box 90 10093 COLLEGNO (TO) ITALY	* http://www.elcis.com * e-mail: info@elcis.com * Fax: +39 011 712613
--	--	--

COPYRIGHT by ELCIS - Collegno (TO)